

**RANGER | SECURITY  
DETECTORS**

**B.O.S.S. Calibration Procedures**

# Tools Required

- Torx key provided in the hardware kit of the B.O.S.S. chair.
- Small flat head screw driver
- Digital volt meter
- Alligator leads
- 1/4" nut driver
- 5/16" nut driver
- 7/16" nut driver

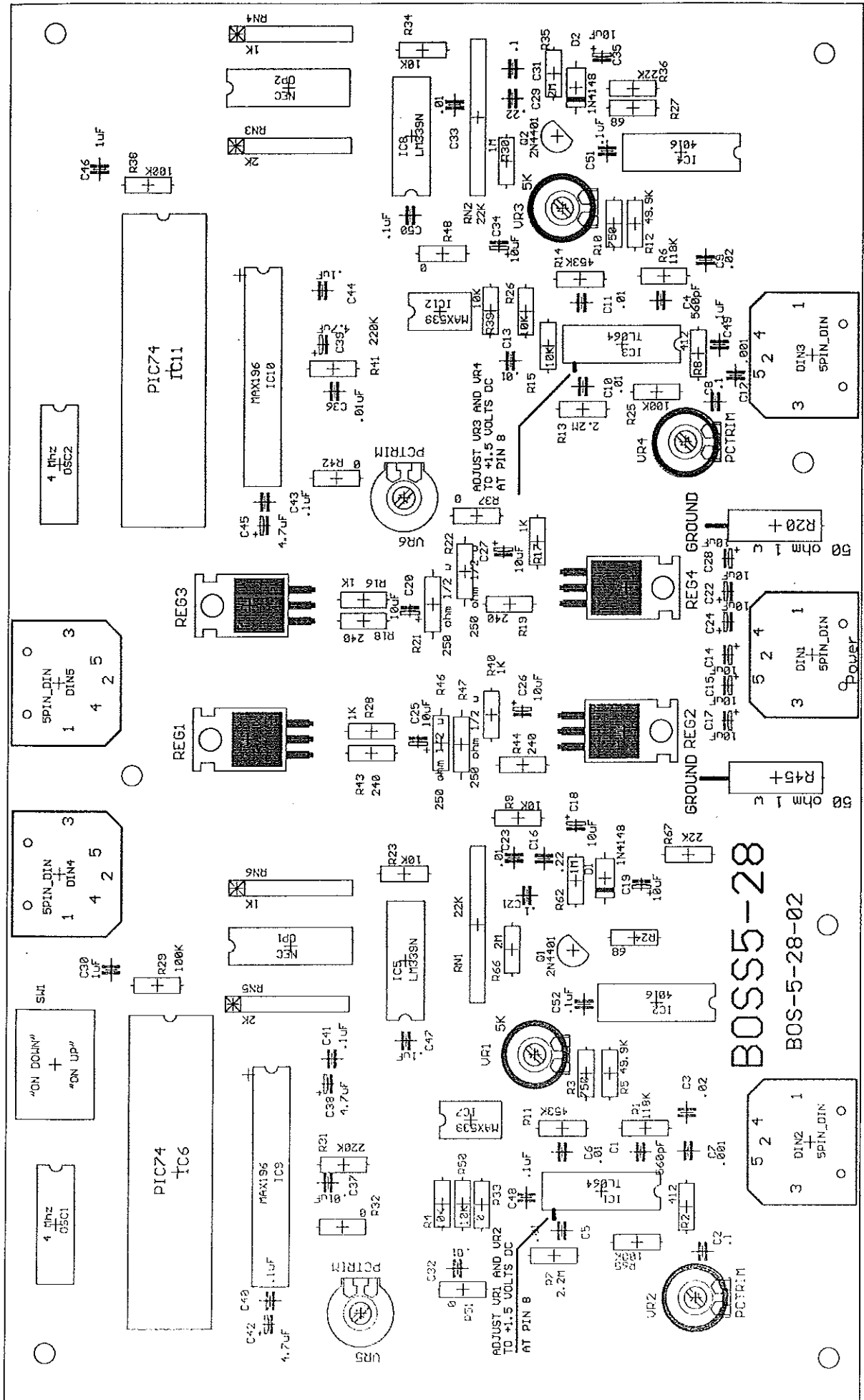
When calibrating the B.O.S.S. chair, ensure there is no objects on the seat or oral sensors.

To calibrate the oral sensor, place the black lead of the digital volt meter on resistor 45 (R45), shown in the component layout. Place the red lead on pin 8 of IC 1. Adjust to +1.5 volts D.C. by turning potentiometers VR2 and/or VR1.

To calibrate the seat sensor, place the red lead of the digital volt meter on pin 8 of IC 3. Adjust to +1.5 volts D.C. by turning potentiometers VR4 and/or VR3 shown in the component layout.

For additional information or assistance regarding the B.O.S.S. chair, please contact the factory technical support department at 1-800-852-8266.

TOP VIEW



BOS55-28

BOS-5-28-02